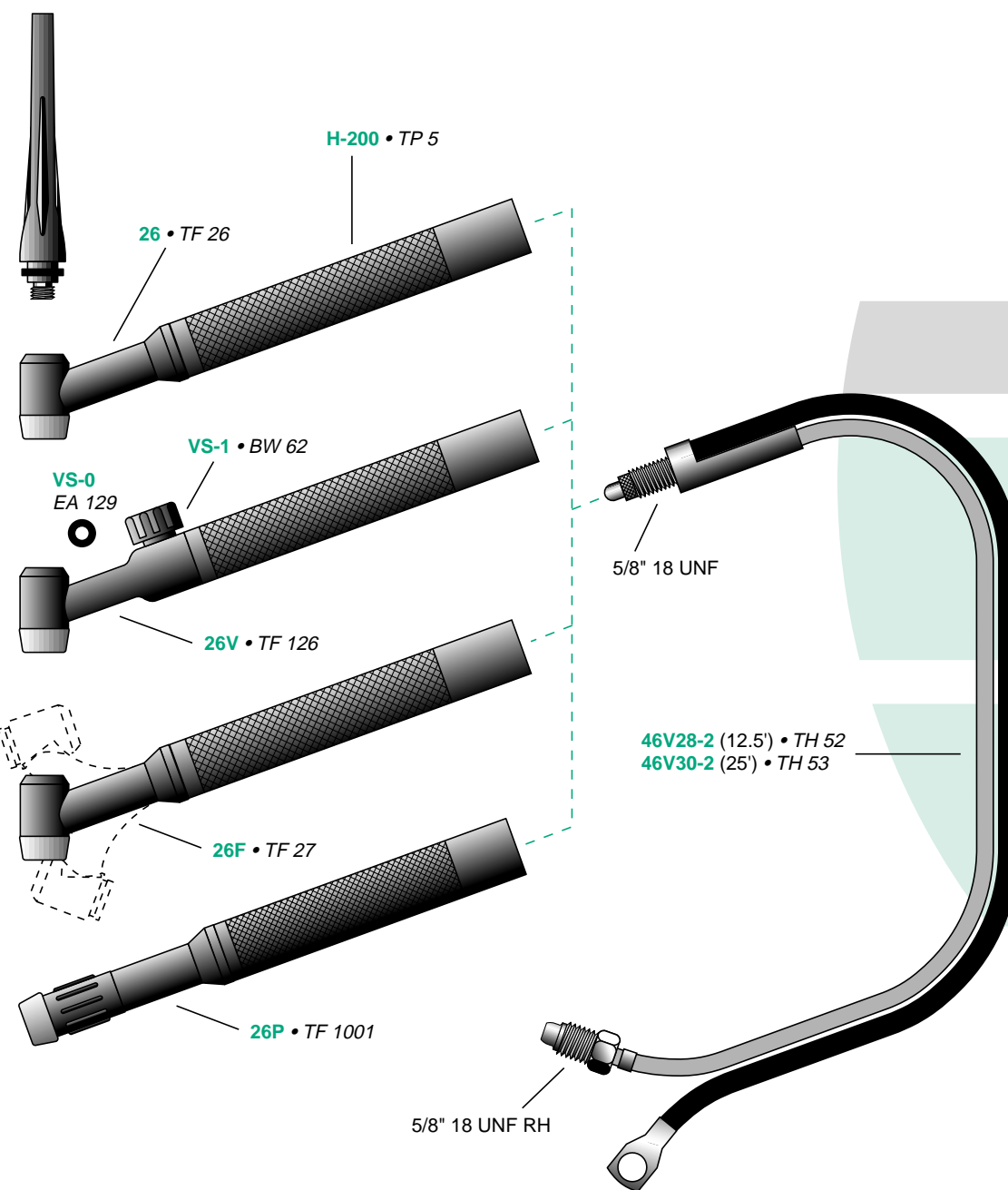


TIG 26



TIG 26-12-2 (12.5) • TA 8800
TIG 26-25-2 (25) • TA 8815

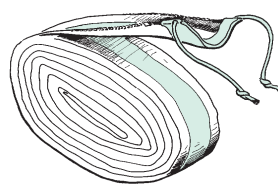
TIG 26V-12-2 (12.5) • TA 8860
TIG 26V-25-2 (25) • TA 8875

TIG 26F-12-2 (12.5) • TA 8805
TIG 26F-25-2 (25) • TA 8820

TIG 26P-12-2 (12.5) • TA 8931
TIG 26P-25-2 (25) • TA 8946

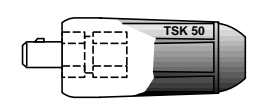
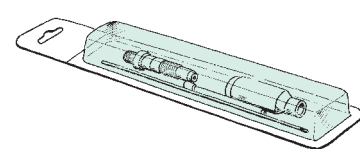
Protective Cover

TT 111 Cable cover 3"x10'
 TT 112 Cable cover 3"x22'



Accessory Kits

TT 103 • 1/16"	TT 104 • 3/32"	TT 105 • 1/8"
1 Collet	1 Collet	1 Collet
1 Collet body	1 Collet body	1 Collet body
1 Nozzle 13N10	1 Nozzle 13N10	1 Nozzle 13N10
1 Tungsten electrode	1 Tungsten electrode	1 Tungsten electrode



PLUG 50 • CX 22

Capacity

200 Amp Tig - Gun
 Air-Cooled

Electrode Range

.020-3/32" (.5-2.4 mm)



trafimet USA
 your welding partner

700 East Elm Avenue, Uni B
 La Grange, IL - 60525
 Ph. 708 - 5795893 • Fax 708 - 5795884
 E-mail: TrafimetUS@aol.com

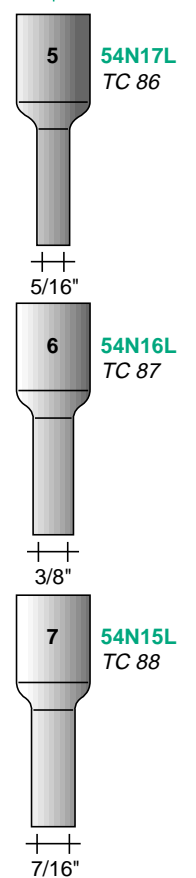
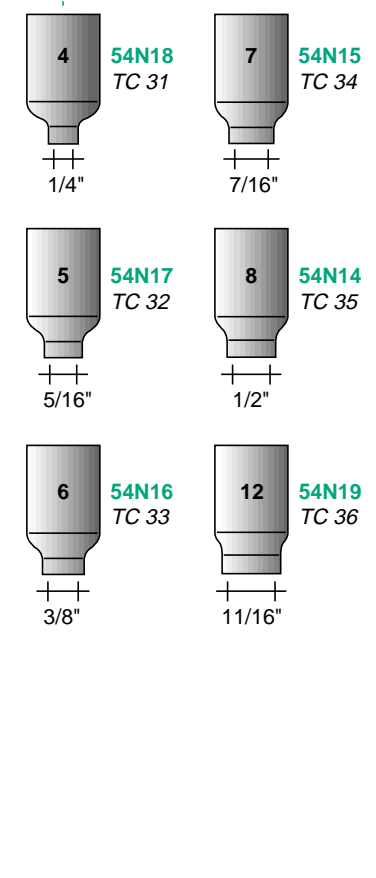
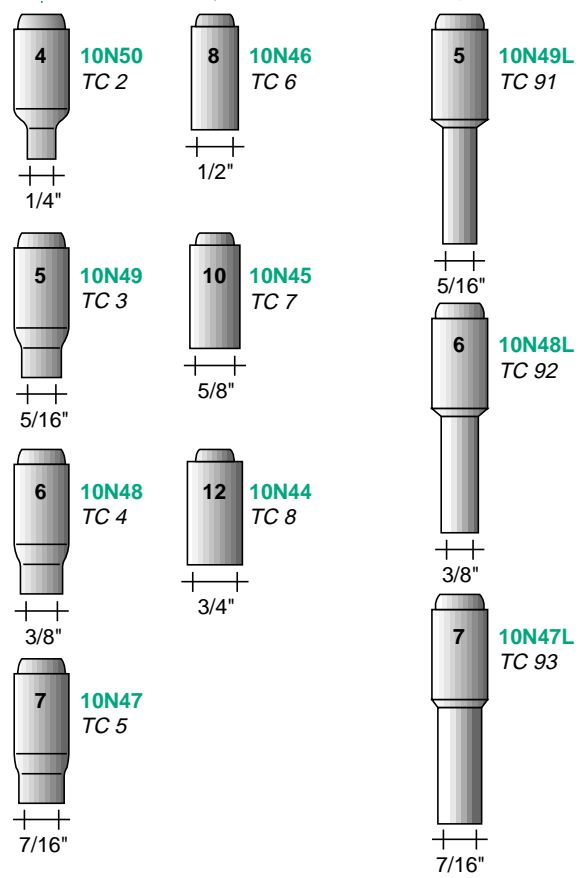
We reserve the right to modify, without notice, any of our products.
 TRAFIMET spa is the registered owner of all trademarks patents and models.
 Copyright © September 1997 • by TRAFIMET spa

trafimet USA
 your welding partner





- 10N21 (.020") • TD 1.05
- 10N22 (.040") • TD 1.10
- 10N23 (1/16") • TD 1.16
- 10N24 (3/32") • TD 1.24

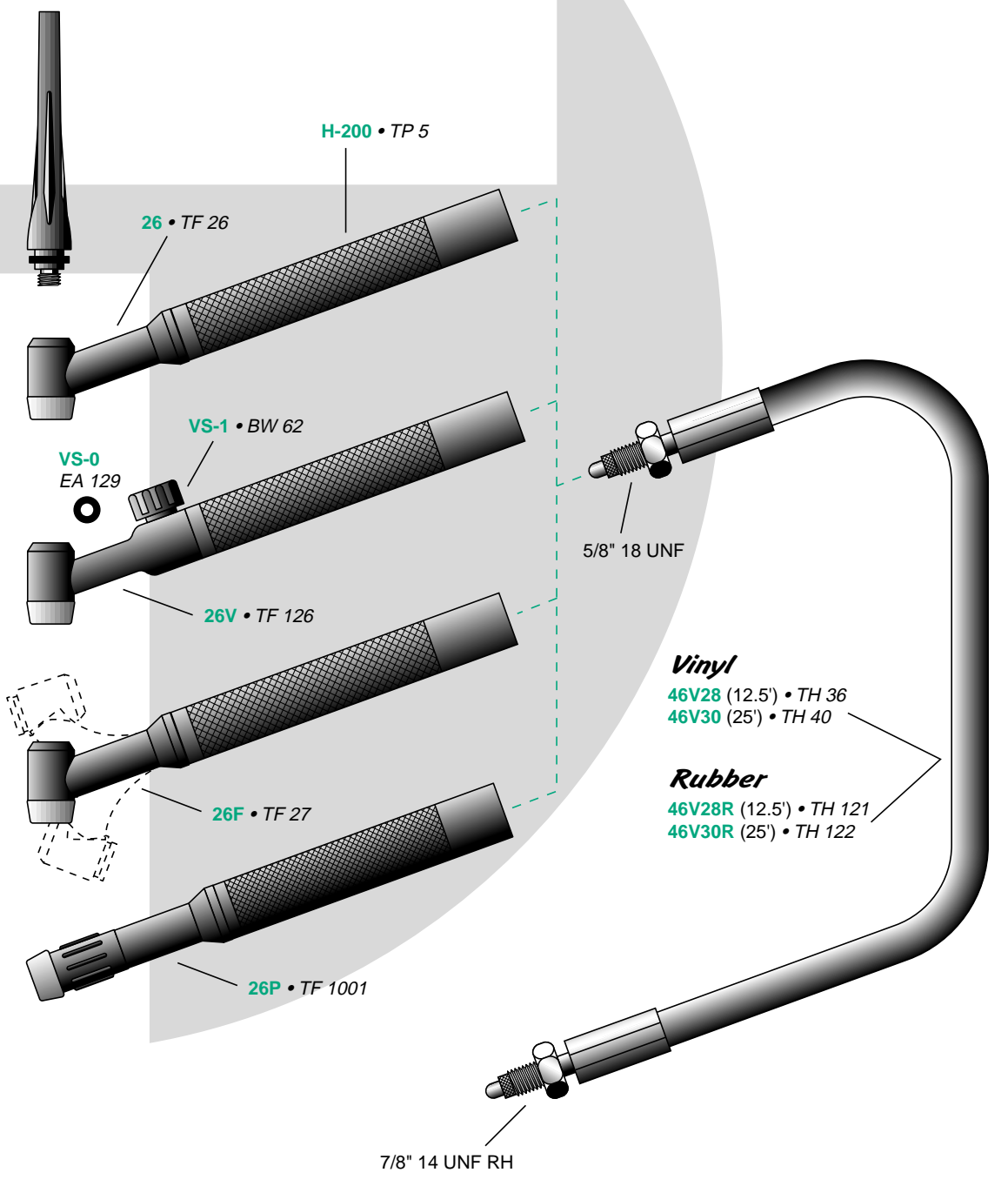


- TIG 26-12-1 (12.5) • TA 8801
- TIG 26-25-1 (25) • TA 8816
- TIG 26-12-1R (12.5) • TA 8802
- TIG 26-25-1R (25) • TA 8817

- TIG 26V-12-1 (12.5) • TA 8862
- TIG 26V-25-1 (25) • TA 8877
- TIG 26V-12-1R (12.5) • TA 8863
- TIG 26V-25-1R (25) • TA 8878

- TIG 26F-12-1 (12.5) • TA 8803
- TIG 26F-25-1 (25) • TA 8818
- TIG 26F-12-1R (12.5) • TA 8804
- TIG 26F-25-1R (25) • TA 8819

- TIG 26P-12-1R (12.5) • TA 8930
- TIG 26P-25-1R (25) • TA 8945



- SW1-12 • BX 352
- SW1-25 • BX 353

BL 1
BW 70

ADAPTOR 25/50 • CX 70

PLUG 52 T • CX 152

45V62 • FE 49

7/8" 14 UNF RH