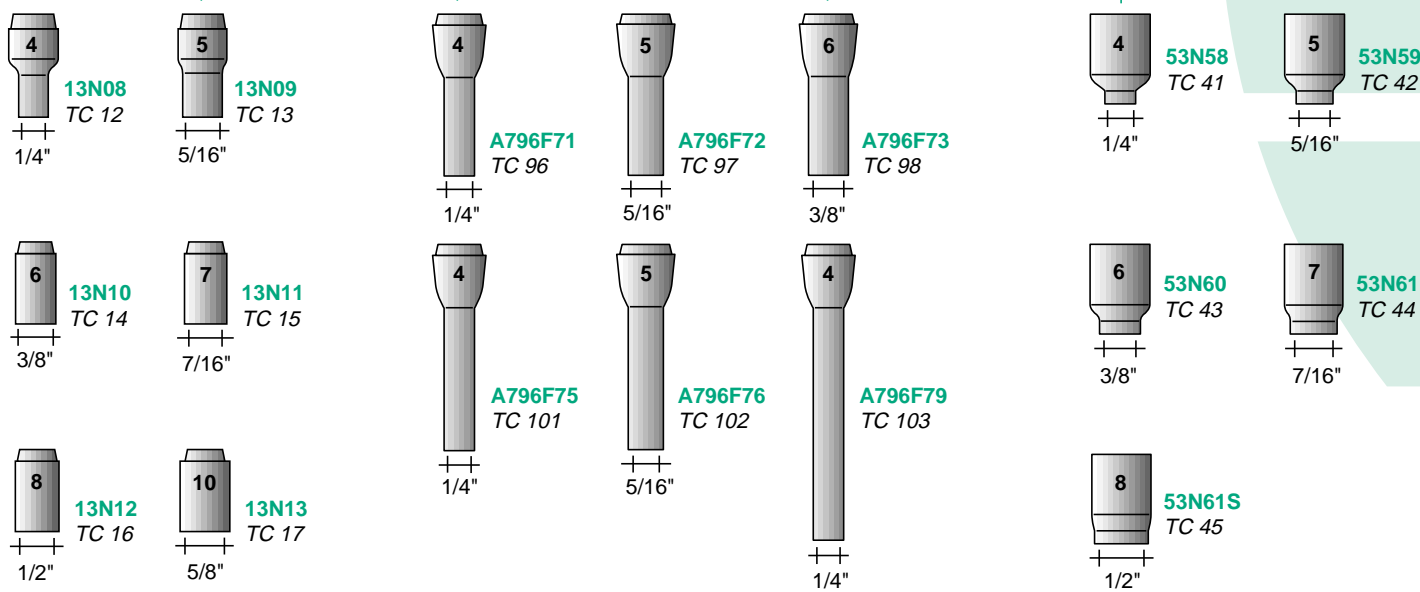
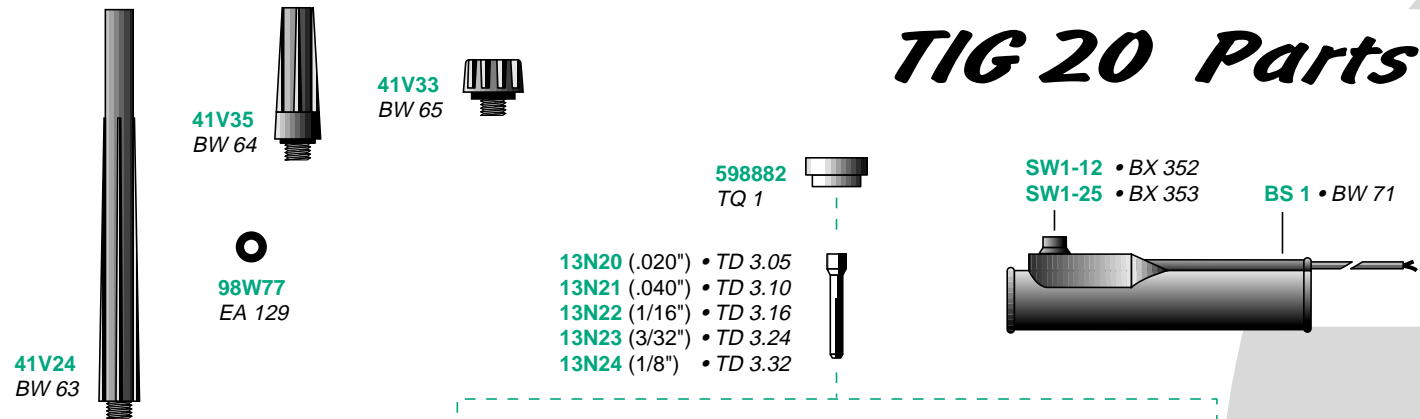


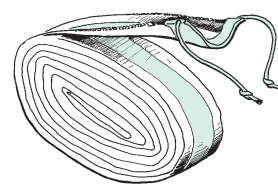
# TIG 18/20

## TIG 20 Parts



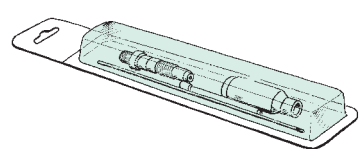
### TIG 18/20 Protective Cover

- TT 111 Cable cover 3"x10"
- TT 112 Cable cover 3"x22"



### TIG 18 Accessory Kits

- TT 103 • 1/16" 1 Collet, 1 Collet body, 1 Nozzle 13N10, 1 Tungsten electrode
- TT 104 • 3/32" 1 Collet, 1 Collet body, 1 Nozzle 13N10, 1 Tungsten electrode
- TT 105 • 1/8" 1 Collet, 1 Collet body, 1 Nozzle 13N10, 1 Tungsten electrode



### TIG 20 Accessory Kits

- TT 101 • 1/16" 1 Collet, 1 Collet body, 1 Nozzle 13N10, 1 Tungsten electrode
- TT 102 • 3/32" 1 Collet, 1 Collet body, 1 Nozzle 13N10, 1 Tungsten electrode

### TIG 18

Capacity  
350 Amp Tig - Gun  
Water-Cooled

Electrode Range  
.020-5/32" (.5-4.0 mm)

### TIG 20

Capacity  
250 Amp Tig - Gun  
Water-Cooled

Electrode Range  
.020-1/18" (.5-3.2 mm)



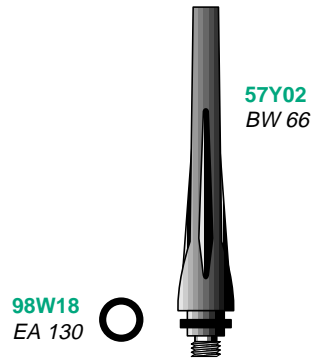
700 East Elm Avenue, Uni B  
La Grange, IL - 60525  
Ph. 708 - 5795893 • Fax 708 - 5795884  
E-mail: TrafimetUS@aol.com

We reserve the right to modify, without notice, any of our products.  
TRAFIMET spa is the registered owner of all trademarks patents and models.  
Copyright © September 1997 • by TRAFIMET spa

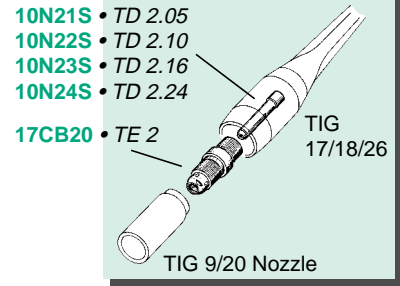
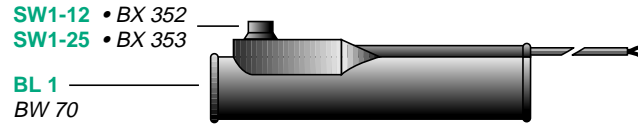


# TIG 18 Parts

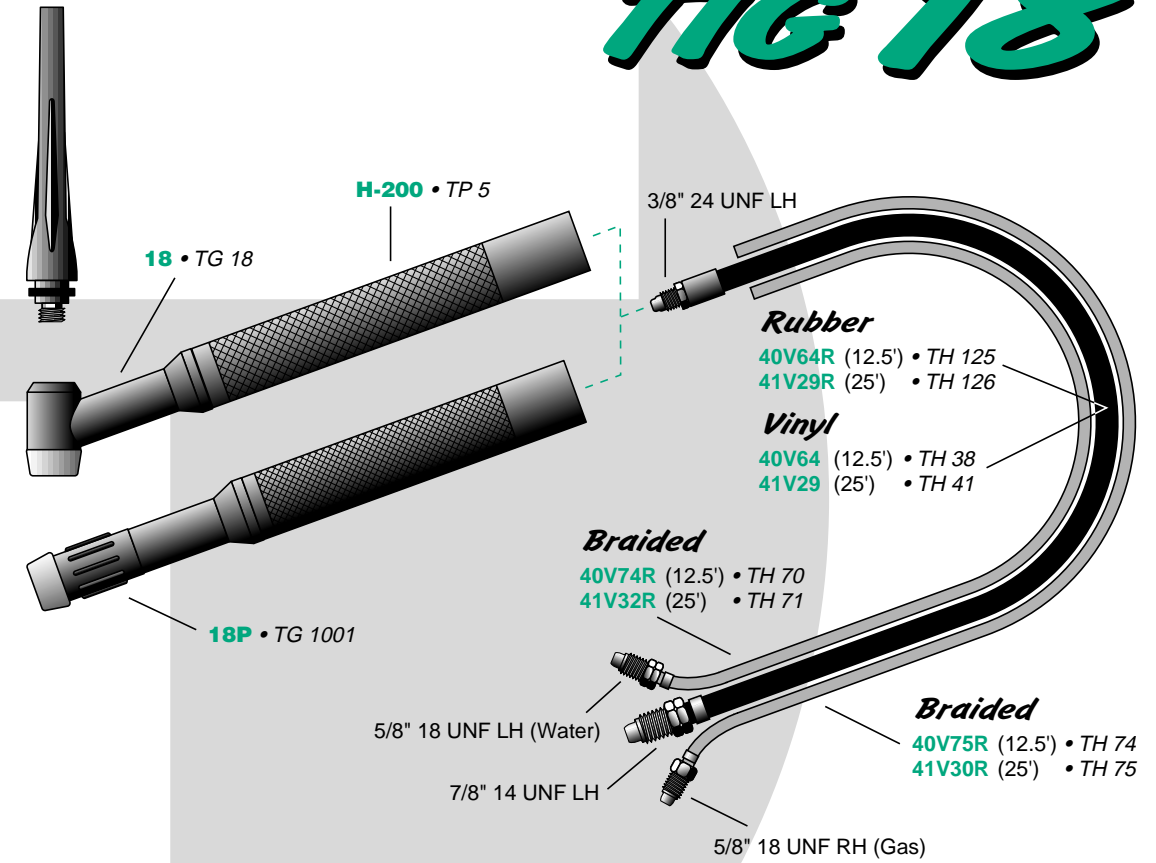
# TIG 18



- 10N21 (.020") • TD 1.05
- 10N22 (.040") • TD 1.10
- 10N23 (1/16") • TD 1.16
- 10N24 (3/32") • TD 1.24
- 10N25 (1/8") • TD 1.32
- 10N20 (5/32") • TD 1.40

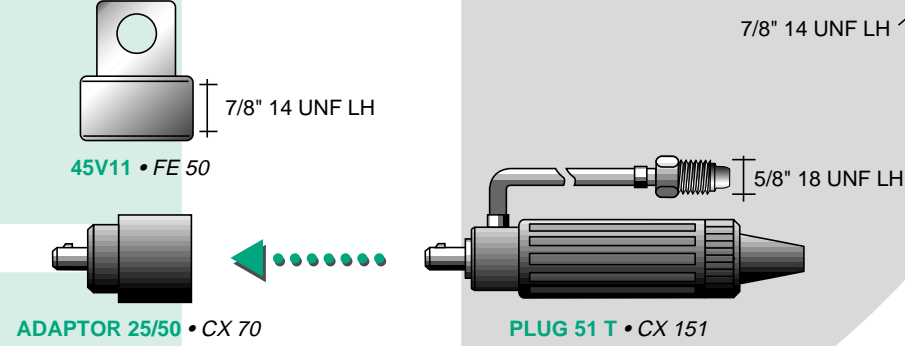
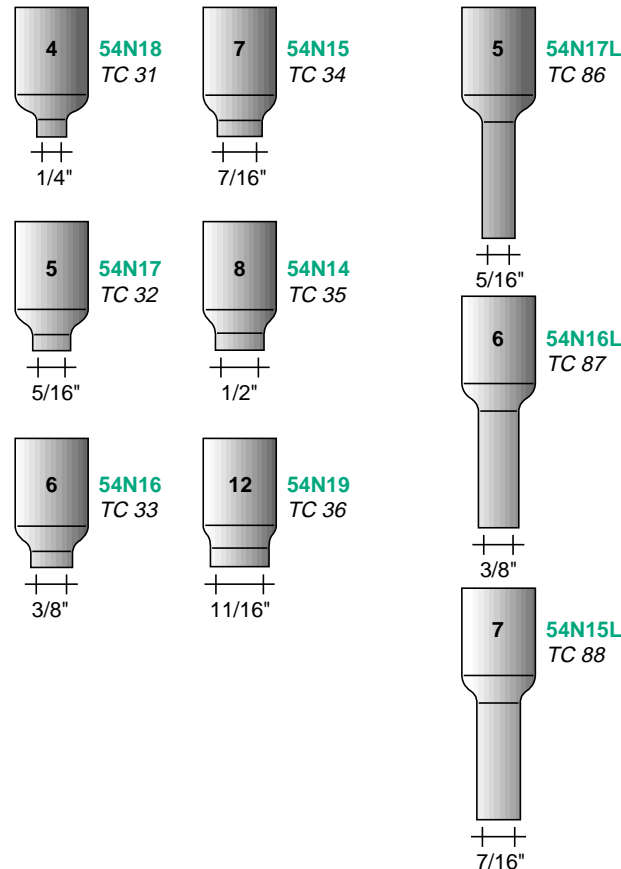
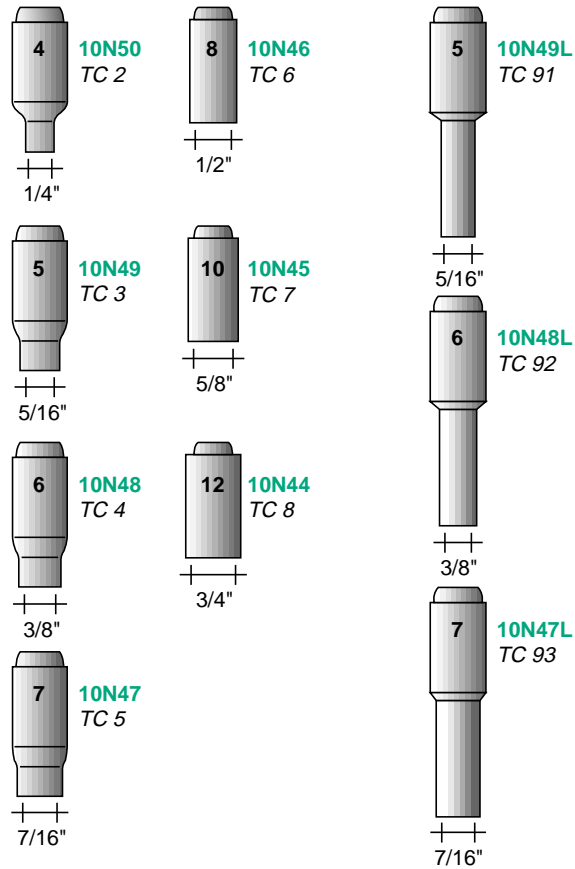


- TIG 18-12-1 (12.5') • TB 1900
- TIG 18-25-1 (25') • TB 1950
- TIG 18-12-1R (12.5') • TB 1901
- TIG 18-25-1R (25') • TB 1951
- TIG 18P-12-1R (12.5') • TB 3200
- TIG 18P-25-1R (25') • TB 3215

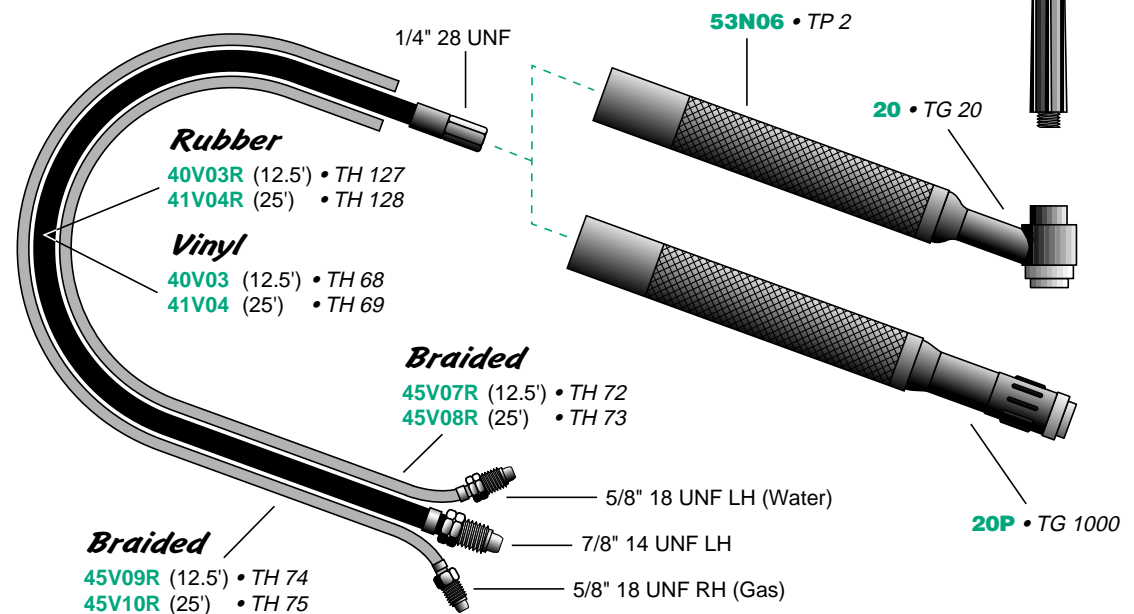


- 18CG • TQ 2
- 10N29 (.020") • TE 1.05
  - 10N30 (.040") • TE 1.10
  - 10N31 (1/16") • TE 1.16
  - 10N32 (3/32") • TE 1.24
  - 10N28 (1/8") • TE 1.32
  - 406488 (5/32") • TE 1.40

- 54N01 • TQ 3
- 45V29 (.020") • TE 6.05
  - 45V24 (.040") • TE 6.10
  - 45V25 (1/16") • TE 6.16
  - 45V26 (3/32") • TE 6.24
  - 45V27 (1/8") • TE 6.32
  - 45V28 (5/32") • TE 6.40



# TIG 20



- TIG 20-12-1 (12.5') • TB 3100
- TIG 20-25-1 (25') • TB 3150
- TIG 20-12-1R (12.5') • TB 3101
- TIG 20-25-1R (25') • TB 3151
- TIG 20P-12-1R (12.5') • TB 3230
- TIG 20P-25-1R (25') • TB 3245