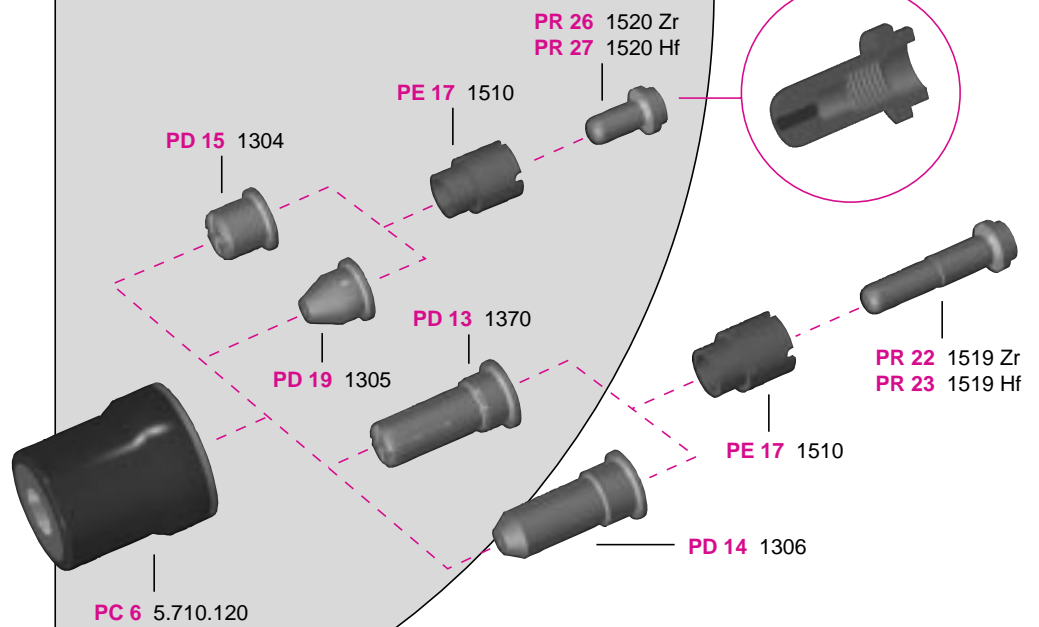


CB - WTC - WHITNEY ESAB/L-TEC

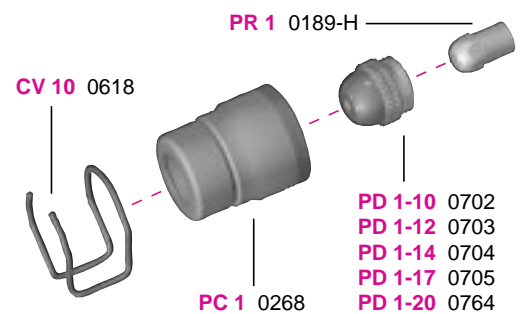
Plasma - Parts



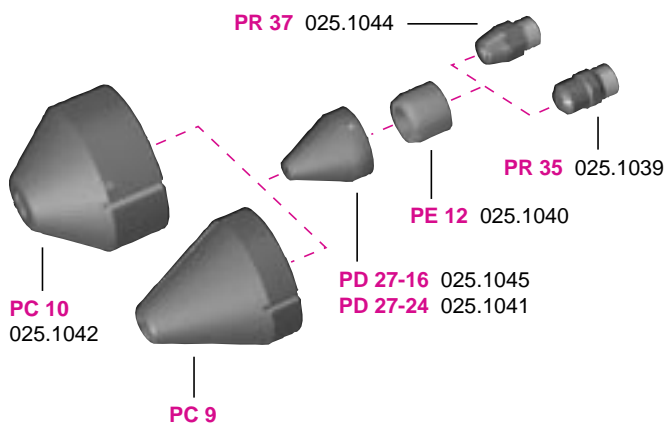
CB 25



WTC



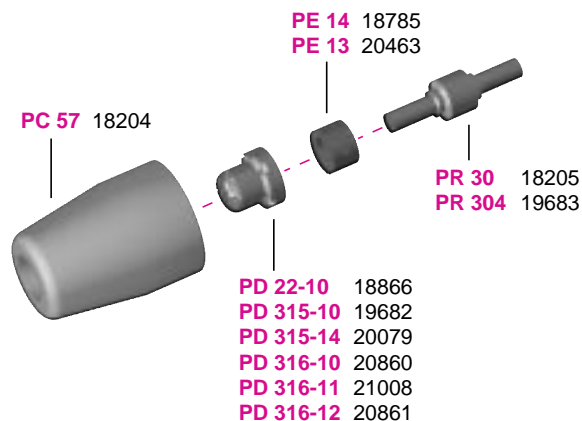
WHITNEY



trafimet® **USA**

your welding partner

ESAB/L-TEC 31



ESAB/L-TEC 17

- PC 310 Shield Cup - 19124
- PD 317-09 Nozzle - 19914
- PD 317-12 Nozzle - 19915
- PD 317-13 Nozzle - 19916
- PD 317-15 Nozzle - 19917
- PD 317-17 Nozzle - 20056
- PR 310 Electrode - 19918

ESAB/L-TEC 20

- PD 318-10 Nozzle - 21330
- PD 318-13 Nozzle - 21329
- PD 318-15 Nozzle - 21328
- PR 318 Electrode - 21150

ESAB/L-TEC 23-27

- PD 302-09 Nozzle - 33368
- PD 302-12 Nozzle - 33369
- PD 302-13 Nozzle - 33418
- PR 302 Electrode - 33366
- PE 302 Swirl Ring - 33367

ESAB/L-TEC 121

- PD 304-12 Nozzle - 17119
- PD 304-14 Nozzle - 999263
- PC 304 Shield Cup - 999261



trafimet®
USA
your welding partner

3130 W. 84th St. Unit 3
Hialeah, FL33018

Phone (305)698-2220 Fax (305)698-2228 T.free (800)535-1185
E-mail: sales@trafimetusa.com <http://www.trafimetusa.com>

We reserve the right to modify, without notice, any of our products.
Trafimet is no way affiliated with CEBORA® - WTC® - WHITNEY® - ESAB/L-TEC®.
The parts advertised for sale are not genuine CEBORA® - WTC® - WHITNEY®
ESAB/L-TEC® parts, but are parts made for and by TRAFIMET®.
References to manufacturer equipment, and/or trade names or trade-marks
are for identification and convenience only.
TRAFIMET® spa is the registered owner of all trademarks patents and models.

Copyright © November 1997 • by TRAFIMET spa

HY - BINZEL

Plasma - Parts



HY - MAX 20

Century 20-20
Solar 20-20

PC 20
020218 - Hy
334-280-100 - Century
4423 - Solar

PD 58 020381

PD 32
020299 - Hy
334-279-100 - Century
4421 - Solar

HY - MAX 42

Century 20-50
Solar 20-50

PD 57 020546

PC 22
020364 - Hy
334-290-905 - Century
4453 - Solar

PD 33-09
020350 - Hy
334-295-905 - Century
4454 - Solar

PD 33-10
020395 - Hy
334-289-905 - Century
4451 - Solar

HY - MAX 200

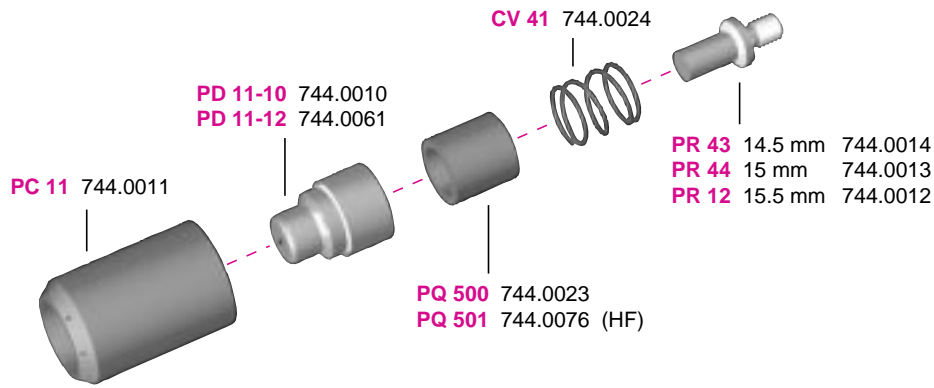
PR 305 Electrode - 020414
PD 305 Nozzle - 020611
PD 306 Nozzle - 020608
PD 307 Nozzle - 020605

HY - HT 400

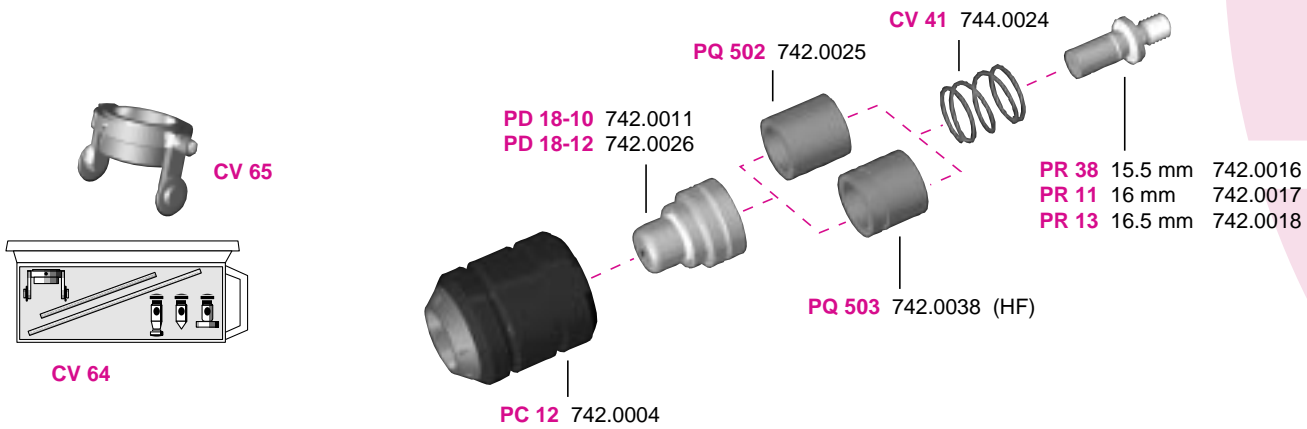
PR 306 Electrode - 020081

trafimet®
USA
your welding partner

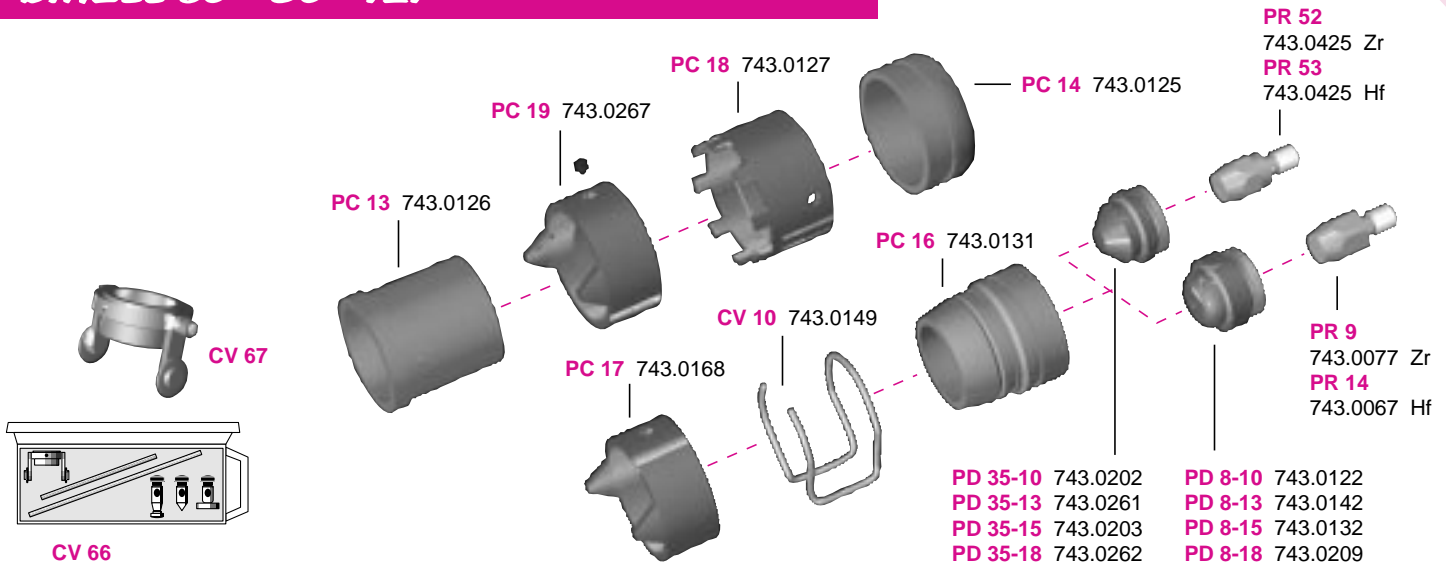
BINZEL 30



BINZEL 31



BINZEL 60 - 80 - 121



trafimet[®] USA
your welding partner

3130 W. 84th St. Unit 3
 Hialeah, FL 33018

Ph. (305)698-2220 fax (305)698-2228 T.free (800)535-1185
 E-mail: sales@trafimetusa.com <http://www.trafimetusa.com>

We reserve the right to modify, without notice, any of our products.
 Trafimet is no way affiliated with HYPERTHERM[®] - BINZEL[®].
 The parts advertised for sale are not genuine HYPERTHERM[®] - BINZEL[®] parts,
 but are parts made for and by TRAFIMET[®].
 References to manufacturer equipment, and/or trade names or trade-marks
 are for identification and convenience only.
 TRAFIMET[®] spa is the registered owner of all trademarks patents and models.

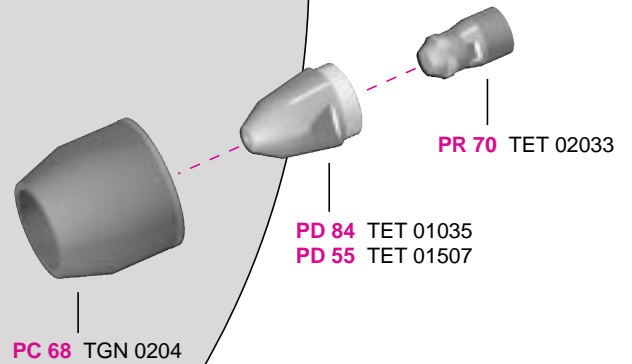
Copyright © November 1997 • by TRAFIMET spa

PANASONIC - MESSER G. MILLER - SAF - OTC - P-TRON

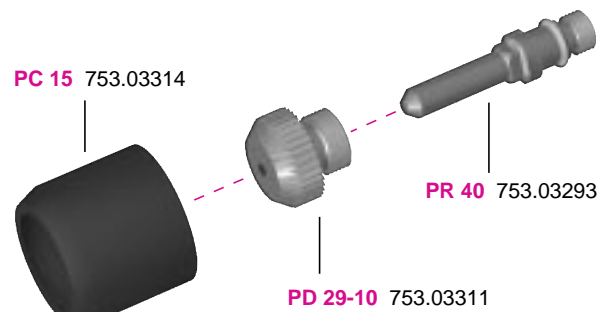
Plasma - Parts



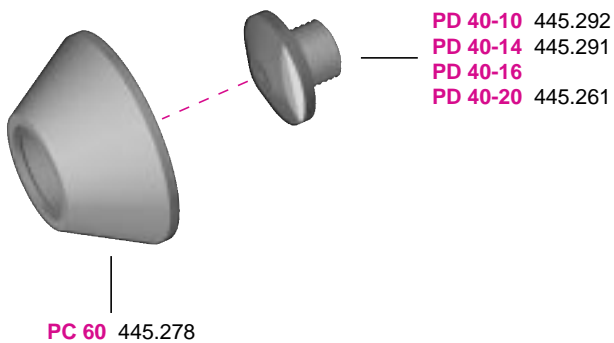
PANASONIC



MESSER GRIESHEIM 60



MESSER GRIESHEIM 100/250



trafimet® **USA**

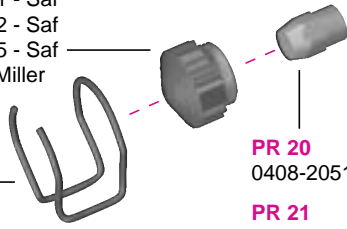
your welding partner

**MILLER
SAF**

**Plazcut
CP 40/CP 100**

PD 10-10 0408-2261 - Saf
PD 10-12 0408-2262 - Saf
PD 10-16 0408-2385 - Saf
PD 308 095483 - Miller

CV 10
 0408-2053 - Saf
 095485 - Miller



PR 20
 0408-2051 Zr - Saf
PR 21
 0408-2404 Hf - Saf
 095482 - Miller

**MILLER
OTC
P-TRON**

**APT 5000/7000
D-7000, A 50/A70
PZ 100**

Part No.	Description	MILLER	OTC	P-TRON
PR 300	Electrode	123-899	H669G11	25-8304
PD 300-10	Nozzle	123-898	H669G06	25-8303
PD 300-12	Nozzle	134-338	H669G05	25-8302
PC 300	Shield Cup	123-897	H669G04	25-8301

OTC D-12000

Part No.	Description	OTC
PR 309	Electrode	H839M00
PD 309	Nozzle	H839K03
PD 310	Nozzle	H839K02
PD 311	Nozzle	H839K01
PD 312	Nozzle	H839G03
PC 309	Shield Cup	H839G02



trafimet[®] USA
your welding partner

3130 W. 84th St. Unit 4
 Hialeah, FL 33018
 Phone (305)698-2220 fax (305)698-2228 T. free (800)535-1185
 E-mail: sales@trafimetusa.com <http://www.trafimetusa.com>

**MILLER
OTC**

**APT 3000
M 3000**

Part No.	Description	MILLER	OTC
PR 303	Electrode	125-069	H705F05
PD 303	Nozzle	125-070	H705F04
PC 303	Shield Cup		H705F03

**MILLER
OTC**

**APT 8000
D-3000**

Part No.	Description	MILLER	OTC
PR 301	Electrode	125-039	H839M00
PD 301	Nozzle	125-038	H767F01
PC 301	Shield Cup	125-040	H767J00

We reserve the right to modify, without notice, any of our products.
 Trafimet is no way affiliated with PANASONIC® - MESSER G.® - MILLER®
 SAF® - OTC® - P-TRON®. The parts advertised for sale are not genuine
 PANASONIC® - MESSER G.® - MILLER® - SAF® - OTC® - P-TRON® parts,
 but are parts made for and by TRAFIMET®.
 References to manufacturer equipment, and/or trade names or trade-marks
 are for identification and convenience only.
 TRAFIMET® spa is the registered owner of all trademarks patents and models.

Copyright © November 1997 • by TRAFIMET spa



Plasma - Parts



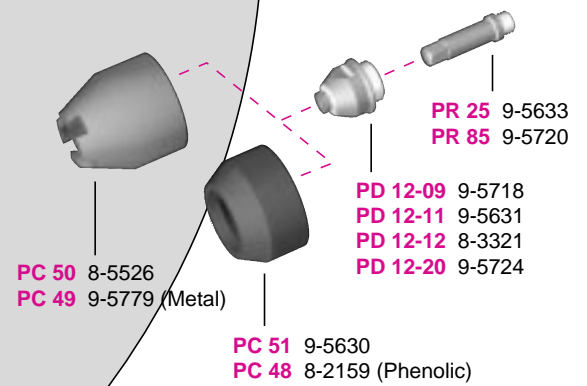
TD 51

Hand Torch

PF 40 9-5635

Machine Torch

PF 41 9-5634



TD 100

PC 56 8-1101

PD 17-10 9-4343
PD 17-13 9-4342
PD 17-15 9-4341

PR 29 9-4340

PC 54 9-4345
Machine

PC 55 8-1100
Hand

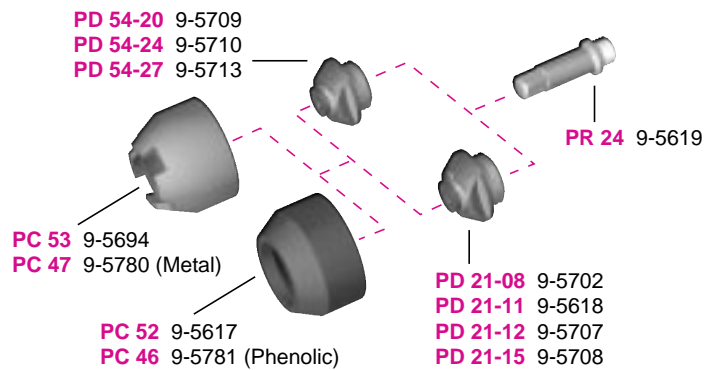
TD 52

Hand Torch

PF 300 9-5642

Machine Torch

PF 305 9-5643



TD 150

PC 78 9-5750
PC 79 9-5790

PD 509-11 9-5748
PD 509-14 9-5747
PD 509-18 9-5746

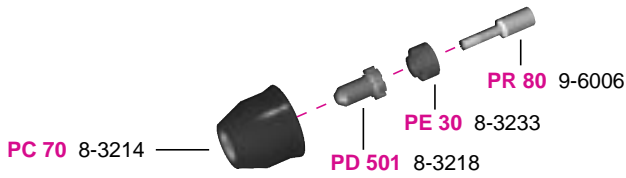
PR 83 9-5749

PC 80 9-5774
PC 81 9-5758

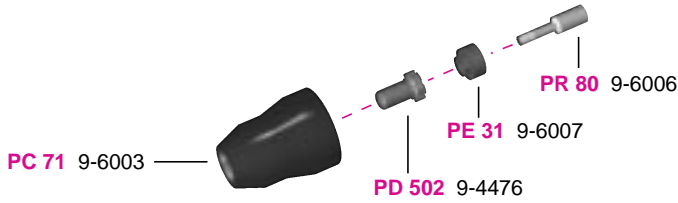
trafimet® **USA**

your welding partner

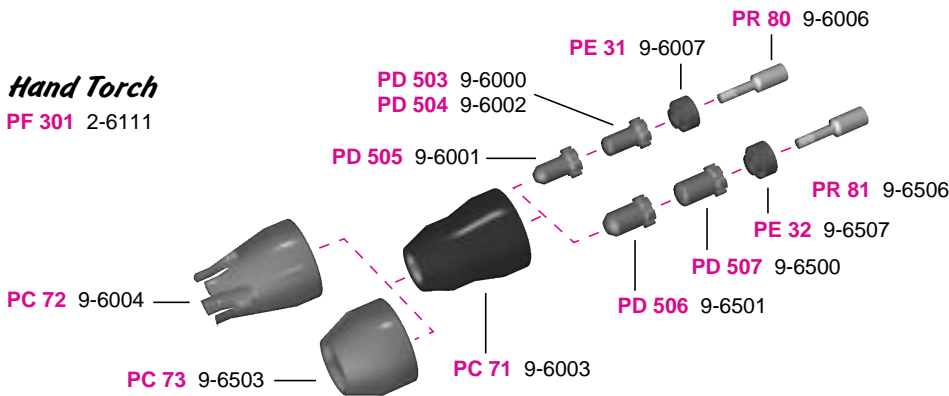
TD 20



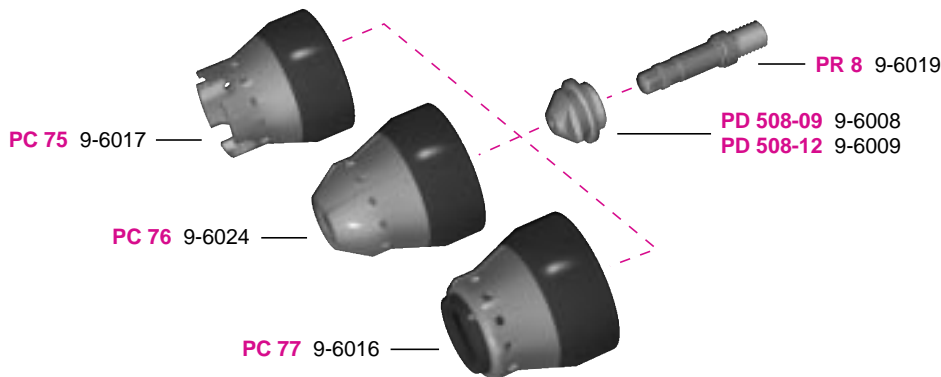
TD 25



TD 35



TD 70



trafimet[®] USA
your welding partner

3130 W.84th St. Unit 4
Hialeah, FL 33018
Phone (305)698-2220 fax (305)698-2228 T.free (800)535-1185
E-mail: sales@trafimetusa.com <http://www.trafimetusa.com>

We reserve the right to modify, without notice, any of our products. Trafimet is no way affiliated with THERMAL DYNAMICS[®]. The parts advertised for sale are not genuine THERMAL DYNAMICS[®] parts, but are parts made for and by TRAFIMET[®].
References to manufacturer equipment, and/or trade names or trade-marks are for identification and convenience only.
TRAFIMET[®] spa is the registered owner of all trademarks patents and models.

Copyright © November 1997 • by TRAFIMET spa